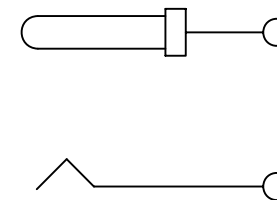
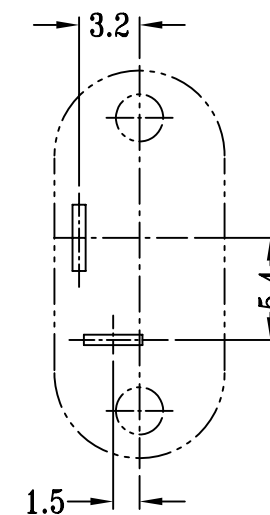
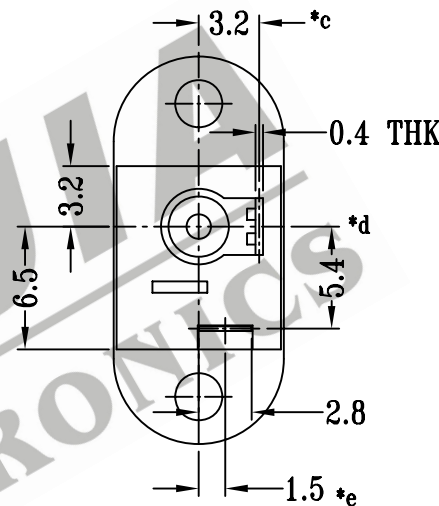
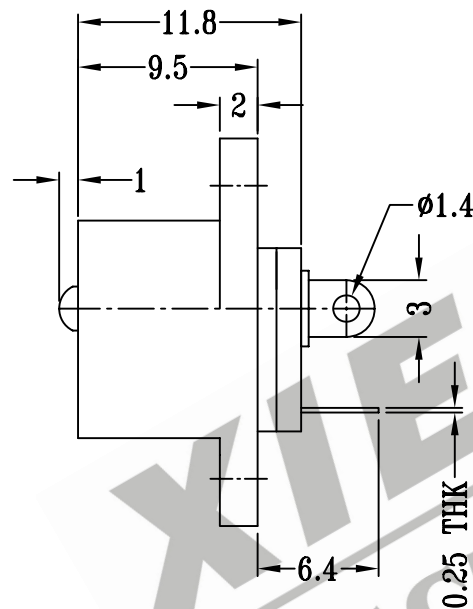
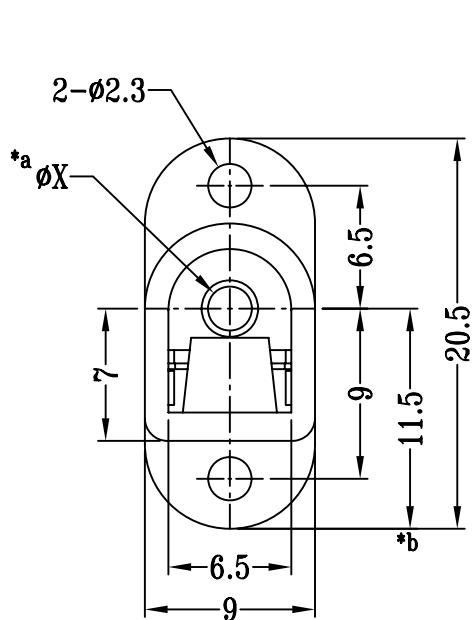


CAD FILE:



**SCHMATIC**



**P.C.B LAYOUT**

注：“\*”表示关键尺寸（5个）

DIA. OF PIN 'A'	A=2.5mm
DIA. OF PIN 'B'	B=2.0mm
DIA. OF PIN 'C'	C=2.35mm

8					TOLERANCE UNLESS SPECIFIED	SHENZHEN XIEJIA ELECTRONICS CO.,LTD.				
7										
6					WITHIN: 1.5±0.1mm OVER: 1.5±0.2mm	ISSUE	DATE	DESCRIPTIONS OF REVISION		APPD.
5	CONTACT	BRASS STRIP	1	Ag PLATED OVER Ni PLATED						
4	SPRING TERMINAL	PBS STRIP /STAINLESS STEEL	1	Ag PLATED OVER Ni PLATED	TITLE : DC POWER JACK	UNIT : mm	DRWG NO.: XJ-DR-DS226-00			
3	TERMINAL BASE	PHENOLIC RESIN	1	NATURAL						
2	CASE	PC	1	BLACK	MODEL: DS-226	SCALE: 5:2	DWN.	ZHOUYU	2004-6-9	
1	PLUG PIN	BRASS	1	Ni PLATED			CHK'D	FANGYING	2004-6-9	
NO.	PARTS	MATERIALS	Q'TY	FINISH	ALL MATERIALS MUST BE COMPLIANT TO ROHS		APPD.	KANGXINAN	2004-6-9	